



Products Quick Look Condensed Catalog

Catalog # : CC-3
Sept. 2008

Mission Statement

Dk goal is to be the world best customer-friendly company in the instrumentation and process control fitting and valve industry. Reduced development cycles to introduce new and customized products on the markets are being achieved by close co-operation with clients. Dk, one of the world most dynamic companies provides the technological advances necessary to satisfy this industry. We create technical solutions together with our customers. Quality at Dk means to fully meet the requirements of the customers. Quality consciousness and customer orientation are the basic principles of the staff members of our distributors and our company that are melted in our day to day service towards customers.

Enjoy Dk service and products!



Reliable DK-LOK® Tube Fittings

- OD 1/16 - 2 inch, OD 2mm - 38mm
- SS316, Brass, Carbon Steel, Titanium, Hastelloy, Alloy825, 625, 900, 20 ...
- Heat-Code Traceability
- Rolled Male Thread Construction
- Gauge-able Feature
- Reusable
- Excellent Leak-Free Sealing System in heavy vibration, high thermal stresses and high impulse.



DK-LOK Twin Ferrule Tube Fitting
SS316, TITANIUM, HASTELLOY, ALLOY 825, 625



DK-LOK Brass,
Carbon Steel, Teflon



Fuse Plug

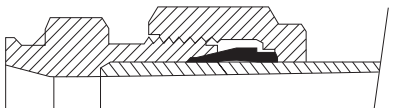


Hose Adapter



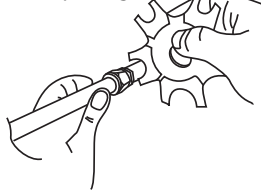
Push-On Fittings

DK-LOK
Z series Single Ferrule Fittings



DK Z series Nut & Single Ferrule are designed to use with the standard DK-LOK Twin Ferrule Fitting body.

DK-LOK Gap Gauge



DK-LOK
Pre-Swaging Hand Tool



DK-LOK
Hydraulic Swaging Unit





GREEN® Instrument Thread and Weld Fittings

- Pipe Thread 1/8 - 2 inch.
- Tube Socket Welding 1/8 - 2 inch.
- NPT, BSPT, PT, BSPP, ISO 7/1, ISO 228/1
- Wrench Flat Body allowing standard Hex. wrench assembly
- Attractive finishes to suit precision equipment
- Great pressure rating than traditional pipe class fitting
- Wider range of material



DK Bite Type Tube Fittings

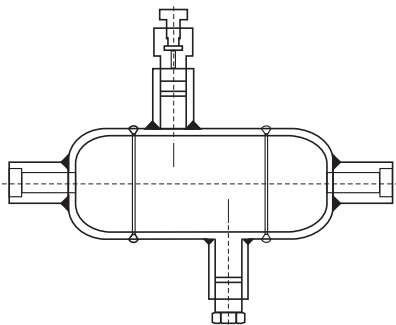


- According to JIS B2351, DIN 2353 standard
- Single Cutting Ring Design
- Stainless Steel, Carbon Steel, and Brass
- Chrome Plating on Brass is available
- Metric Tube OD
- Pipe OD
- Type approved by world renowned Class
- Lloyds / - GL / - DNV / - ABS / - BV

DK Hydraulic Pipe Fittings

- Class 2000, 3000, 6000, 9000 fittings to ANSI and JIS standards
- Carbon Steel and Stainless Steel
- Pipe Thread and Socket Welding

DK Hydraulic Condensate Pot



Available Configuration

Configuration	IDENTIFIER
	2A
	2B
	3A
	3B
	3C
	4A



D-Pro® Quick Connectors

DQ series Quick Connectors



- Up to 3000 psig (206bar)
- SS316 and Brass
- DK-LOK OD 1/8 - OD 1/2 inch
- Pipe thread 1/8 - 1/2 inch
- No tool required to connect or disconnect
- Viton O-ring standard for SS316 construction

DQ color coded & keyed connectors



- Eight different keys on each DQ series
- Mechanically different key with its own color prevent intermixing visually & mechanically.
- Applicable to control multi-fluids and multi-pressure systems.

DF series Full Flow Quick Connectors



- Up to 6000 psig (413bar)
- SS316 and Brass
- DK-LOK OD 1/4 - OD 1 inch
- Pipe thread 1/4 - 1 inch
- No tool required to connect or disconnect
- Viton O-ring standard for SS316 construction

D-Pro® Ball Valves

V81 series General Purpose Ball Valves



- Up to 1000psig (69bar) with PTFE seats
- Up to 230 °C (446 °F)
- SS316, Brass
- Butterfly handle optional
- DK-LOK OD 1/4 - OD 1 inch
- Pipe thread 1/4 - 1 inch

V82 series Lowest Dead Volume Ball Valves



- Up to 3000psig (206 bar)
- Up to 65 °C (150 °F)
- SS316, Brass
- 2-way and 3-way actuation
- Sealing without system pressure
- Analytical and Sampling application
- DK-LOK OD 1/16 - OD 3/4 inch
- Pipe thread 1/8 - 1/2 inch

V824, V825 series Lowest Dead Volume Ball Valves



- Up to 2500psi (172 bar)
- Up to 65 °C (150 °F)
- SS316
- Switching 5-way Ball Valves
- Crossover 4-way Ball valves
- Pipe thread 1/8 - 1/2 inch

V83 series Swing-Out Ball Valves



- Up to 3000psig (206 bar)
- Up to 232 °C (450 °F)
- SS316, Carbon Steel
- Panel Mounting optional
- DK-LOK OD 1/4 - OD 1 inch
- Pipe thread 1/8 - 1 inch

V86 series High Pressure Ball Valves



- Up to 10 000psig (689bar)
- Up to 230 °C (446 °F)
- SS316, Carbon Steel
- 2-way, 3-way side and bottom entry
- DK patented Locking Device optional
- Panel Mounting optional
- DK-LOK OD 1/4 - OD 1 inch
- Pipe thread 1/4 - 1 inch

VT86 series Trunnion Ball Valves



- Up to 10000psig (413bar)
- Up to 204 °C (399 °F)
- SS316
- 2-way, 3-way
- Panel Mounting
- DK-LOK OD 1/4 - OD 1/2 inch
- Pipe thread 1/8 - 1/4 inch

D-Pro® Ball, Pneumatic Actuator and Plug Valves

VH86 series Multi-Purpose Ball Valves



- Up to 6000psig (413bar)
- Up to 230 °C (446 °F)
- SS316
- 2-way, 3-way actuation
- DK-LOK OD 1/8 - OD 3/4 inch
- Pipe thread 1/4 - 1/2 inch

VH86 Pneumatic Actuators



- Pneumatic Actuator
- 90 degree, 180 degree actuation
- Single and Double return
- Limit Switch available
- Solenoid valve available

V23 series Plug Valves



- Up to 3000psig (206bar)
- Up to 204 °C (400 °F)
- SS316 and Brass
- Flow throttling
- DK-LOK OD 1/8 - OD 1/2 inch
- Pipe thread 1/8 - 1/2 inch

D-Pro® Needle and Toggle Valves

V15 series Integral Bonnet Needle Valves



- Up to 5000psig (344bar)
- Up to 232 °C (450 °F)
- SS316, Brass, and Alloys
- Regulating stem, Vee stem, and Soft seat
- Bar and Knob handles
- DK-LOK OD 1/8 - OD 3/4 inch
- Pipe threads 1/8 - 1/2 inch

V16 series Severe Service Union Bonnet Valves



- Up to 6000psig (413bar)
- Up to 6480 °C (1200 °F)
- SS316 and Alloys
- Stem seal below actuating threads
- Non-rotating globe pattern stem tip
- DK-LOK OD 1/4 - OD 1 inch
- Pipe thread 1/8 - 1 inch
- Pipe socket weld 1/4 - 1/2 inch

VB16 series Barstock Needle Valves



- Up to 6000psig (413bar)
- Up to 232 °C (450 °F)
- SS316 and Alloys
- Vee Tip standard
- Compact design
- DK-LOK OD 1/4 - OD 1/2 inch
- Pipe thread 1/4 - 3/4 inch

VEX110 series High Pressure Needle Valves



- Up to 10 000psig (689bar)
- Up to 204 °C (399 °F) with FKM o-ring seal
- Up to 250 °C (482 °F) with Kalrez o-ring
- Premium four (4) sealing on stem for high pressure
- Stem seal below actuating threads prevent system fluid contamination
- SS316
- Pipe thread 1/4-1/2 inch

V96 series Rising Plug Valves



- Up to 6000psig (413bar)
- Up to 121 °C (250 °F)
- SS316
- KEL-F replaceable soft seat
- Stem seal below actuating threads
- Non-rotating globe pattern stem tip
- Straight-through roddable orifice for easy cleaning
- Pipe thread 1/4 - 3/4 inch

V103 series Toggle Valves



- Up to 300psig (20.6bar)
- Up to 93 °C (200 °F)
- SS316 and Brass
- PTFE soft seat standard
- Sturdy SS handle for extended service life
- For instant open and close the valve
- For sampling and testing equipment
- DK-LOK OD 1/8 - OD 1/2 inch
- Pipe thread 1/8 - 3/8 inch

D-Pro® V13 Bellows Valves

V13 Bellows Valve



- Up to 2500psig (172 bar)
- Up to 648 °C (1200 °F)
- SS316
- DK-LOK OD 1/4 - 1/2 Inch
- Pipe Thread 1/4 - 1/2 Inch

VA33 series Adjustable Check Valves



- Up to 3000psig (206 bar)
- Cracking pressure adjustable from 3 to 600 psig (0.2 to 41.3 bar)
- O-ring seal blow-out proof design
- Pipe thread 1/4 - 1/2 inch.

D-Pro® Check Valves

V33 series Poppet Check Valves



- Up to 3000psig (206bar)
- Up to 190 °C (375 °F)
- SS316, Brass
- DK-LOK OD 1/8 - 1 inch.
- Pipe thread 1/8 - 1 inch.

VH36 series High Pressure Check Valves



- Up to 6000psig (413bar)
- Up to 204 °C (400 °F)
- SS316
- O-ring seal blow-out proof design
- DK-LOK OD 1/8 - OD 1 inch
- Pipe thread 1/8 - 1 inch

VP33 series One piece Check Valves



- Up to 3000psig (206bar)
- Up to 190 °C (375 °F)
- SS316, Brass
- O-ring seal blow-out proof design
- Pipe thread 1/4 - 1/2 inch



D-Pro® Relief, Filters and Excess Flow Valves

V63, V66 series Relief Valves



- Up to 6000psig (413bar)
- Up to 204 °C (400 °F)
- SS316
- Cracking pressure 50 to 6000psig (3.4 to 413bar)
- DK-LOK OD 1/4 - OD 1/2 inch
- Pipe thread 1/4 - 1/2 inch

V73, V76 series Filters



- Up to 6000psig (413bar) for V76 Tee Filter
- Up to 3000psig (206bar) for V73 In-line Filter
- Up to 204 °C (399 °F)
- SS316
- DK-LOK OD 1/8 - OD 1/2 inch
- Pipe thread 1/8 - 1/2 inch
- Filtering element 0.5, 2, 7, 15, 60, and 90 micron

VX36 series Excess Flow Valves



- Up to 6000psig (413bar)
- Up to 204 °C (400 °F)
- SS316
- Designed to stop uncontrolled release of system media.
- DK-LOK OD 1/4 - OD 1/2 inch
- Pipe thread 1/8 - 1/2 inch

D-Pro[®] Bleed, Purge and Gauge Root Valves

VBV series Bleed Valves



- Up to 10 000psig (689bar)
- Up to 454 °C (850 °F)
- SS316, Carbon Steel
- Male pipe thread 1/8 - 1/2 inch
- Vent the signal line pressure to atmosphere to assist in calibration of control valves or multi-valve manifolds.

VPV series Purge Valves



- Up to 4000 psig (275 bar)
- Up to 315 °C (600 °F)
- SS316, Brass
- Pipe thread 1/8 - 1/2 inch.
- DK LOK OD 1/8 - 1/2 inch
- Designed for manually bleeding, venting, and draining system fluids.

V46 series Gauge Root Valves



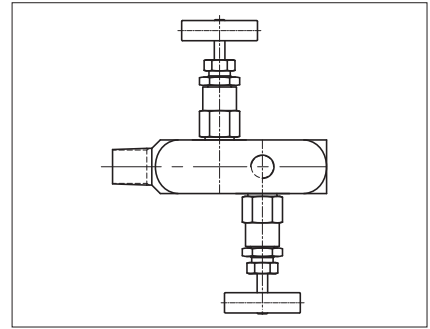
- Up to 6000psig (413bar)
- Up to 232 °C (450 °F)
- SS316, Carbon Steel
- Pipe thread 1/2 - 3/4 inch
- Standard gauge valve, longer body gauge root valve, and extended 4°± long body for pipe insulation are standard
- Grafoil packing for high temperature available
- Non-rotating globe stem tip
- Stem seal below actuating threads

V56 series Manifolds



- Up to 6000psig (413bar)
- Up to 523 °C (973 °F) with Grafoil packing
- 2V, 3V, 5V as standard
- SS316, Carbon Steel
- Remote Mount, Direct Mount, and Single Flanged as standard
- Non-rotating globe stem tip for long service life
- Stem seal below actuating threads to prevent system fluid contamination

V46V2 Block and Bleed Valve



- Up to 6 000psig (413 bar)
- Up to 523 °C (973 °F) with Grafoil packing
- SS316 material
- Male to female pipe 1/2 inch
- Designed for manually bleeding, venting, and draining system fluids.

D-Pro[®] Valves for Offshore Platform

Contact DK official distributor in your territory

Double Block and Bleed Valves



- Class 150 through 2500 to ASME B16.5
- Up to 204 °C (400 °F)
- SS316
- Flange size 1/2 - 2 inch (DN 15 - DN50)
- Blowout proof valve stem and needle
- Fire-tested to BS 6755 part 2

Monoflanges



- Class 150 through 2500 to ASME B16.5
- Up to 204 °C (400 °F) - PTFE packing
- Up to 454 °C (850 °F) - graphite packing
- Flange size 1/2 - 2 inch (DN15 - DN50)